

DiSisto Re.markable mimio Lectern - Model # RE-Desk

Manufactured: (Made in the USA)

Unit includes: Writing surface and rear reference area; storage tray; laptop holder; and lower storage shelf.

Top: Writing surface is a white marker board surface with 3mm PVC edge fixed at a 7 degree angle with pencil strip 36"W x 24"D. Reference area is 36"W x 11"D.

Storage Tray: Sliding cantilever type, mounted under top with non-conductive plastic drawer slides on ball bearings and locks into position. 13"W x 12-3/4"D.

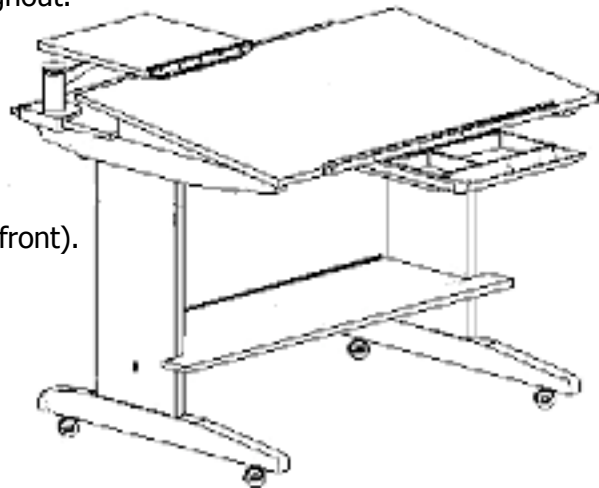
Laptop Holder: 14-1/2" x 14-1/2" platform. Unit rotates 360 degrees with 30-pound capacity. Unit also includes a chrome extension for keyboard.

Base: Consists of two solid maple panel legs fitted into foot and perpendicular top support bracing; lower truss bar is constructed of solid hard Maple utilizing mortise/tenon joint construction with draw-bolt reinforcement throughout.

Casters: Heavy-duty/total-locking.

Finish: Consists of sealer with multiple coats of clear hot lacquer.

Overall Dimensions: 36"W x 30"D x 36"H (at front).



DiSisto mimio Lectern - Model # RE-Desk

mobile lectern for use with mimio capture device.
contains shelves for speakers, laptop, and projector.
heavy duty rolling castors and handy partitioned drawer.
solid maple base design with high quality whiteboard writing surface.

MSRP \$799

Education price \$649

desk with mimio Xi \$1199

Add 9% shipping

PO's accepted at:

DiSistoTech
424 Old Springfield Road
West Stafford CT 06076
1-888-335-3649 phone and fax
www.disistotech.com
email: bill@disistotech.com